

Deck penetration



discom

EXHAUST TECHNOLOGY

Solutions for a **better world**

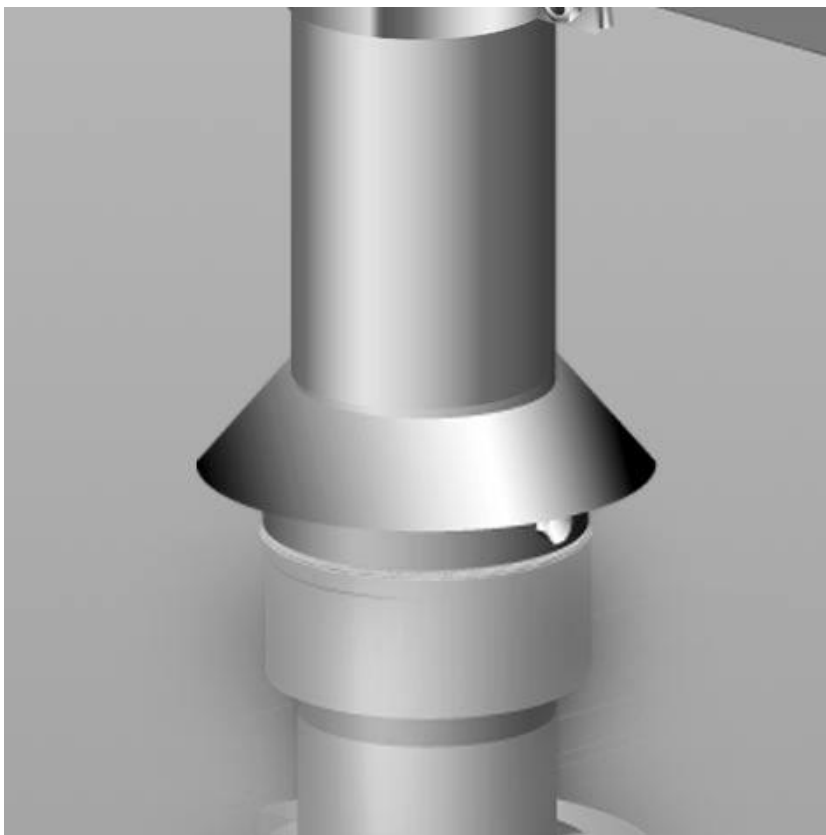
Deck penetration

When exhaust pipes penetrate through decks, direct contact must be avoided to prevent transfer of heat and vibrations (noise) to the construction. This can be safely done by applying deck penetration of type DDV.

For penetration through outdoor decks, an optional rain cap is available.

In somewhat adapted form these penetrations can be applied to stationary situations, like buildings, as well.

Our deck penetration permit free extension of the pipes and limit noise transfer to minimum values. Also temperature transfer to the construction is minimized.



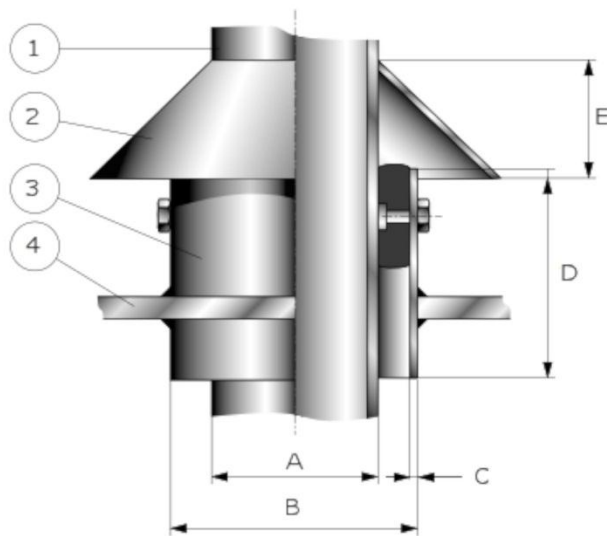
Technical specifications

Material

penetration and rain cap: S235 JR
spring pads: Stainless steel

Dimensions

NB	ØA (mm)	ØB (mm)	C (mm)	D (mm)	E (mm)	Ø F	G
50	60,3	121	5,6	130	75	215	2 x Ø60 x 180°
65	76,1	139,7	6,3	130	75	230	2 x Ø60 x 180°
80	88,9	146	5	130	75	240	3 x Ø60 x 120°
100	114,3	171	5	130	75	265	3 x Ø60 x 120°
125	139,7	199	6	130	75	290	3 x Ø60 x 120°
150	168,3	231	8	160	75	318	3 x Ø60 x 120°
175	193,7	257	8	160	75	339	3 x Ø60 x 120°
200	219,1	282	8	160	75	369	3 x Ø60 x 120°
250	273,0	336	8	160	75	423	3 x Ø60 x 120°
300	323,9	386	8	160	75	474	4 x Ø60 x 90°
350	355,6	418	8	200	75	506	4 x Ø60 x 90°
400	406,4	469	8	200	75	556	4 x Ø60 x 90°
450	457,2	521	8	200	75	607	5 x Ø60 x 72°
500	508,0	571	8	200	75	658	5 x Ø60 x 72°
600	608,0	671	8	200	75	758	5 x Ø60 x 72°
700	711,0	774	8	200	75	862	5 x Ø60 x 72°
800	813,0	876	8	200	75	970	8 x Ø60 x 45°



- 1 = Flue
- 2 = Rain cap (optional)
- 3 = Deck penetration
- 4 = Deck
- 5 = Stainless steel spring pad

