

HM and HMC



discom

EXHAUST TECHNOLOGY

Solutions for a **better world**

Silencers of type HM/HMC are designed for applications with critical noise demands, specially in the middle and high frequency ranges. The HMC is specifically designed for applications involving explosion risks. They can be used for 2 and 4 stroke internal combustion engines. The HM is also used as inlet silencer. They are based on the absorption principle.

The HMC has an integrated spark arrestor based on the centrifugal principle. The spark arrestors are tested according to PTB directives and are certified by DNV, GL and others. These silencers are frequently used as single silencers on exhaust systems of 4 or more cylinder engines or combined with L25 type reflection silencers when strong noise reduction is required across the entire frequency range.

Many of these silencers or combinations are found in propulsion, bow screw installations, (emergency) diesel generating sets aboard tankers or other equipment in areas with explosion risk. As the performance of these silencers is unique as compared to their price, they are very popular. Therefore, they are usually available from stock.

Mounting

These silencers may be mounted in any position, considering of course the indicated direction of flow. The spark collector of the HMC must be placed underneath the horizontal axis. By use of our supports and mounting brackets easy fitting of the silencers is possible.

Note!

Exhaust systems of internal combustion engines are subject to pulsations and other vibration phenomena, therefore it is recommended to mount the entire exhaust system free from vibrations, by applying suitable vibration isolators. As we are exhaust system specialists, we of course can provide a complete program of vibration absorbers and expert advice by our engineers.

Quality and safety

Our manufacturing process from design to delivery is in conformity with the ISO 9001:2000 standard, for which we have been certified. Our silencers are built-in components, therefore no CE marking applies. However in the description of your final product you will have to indicate any potential dangers, for example risk of burns. Therefore we have put a label on your silencer in advance.

Note!

Silencers of type HMC are supplied with a spark arrestor. For proper operation, regular cleaning is necessary.



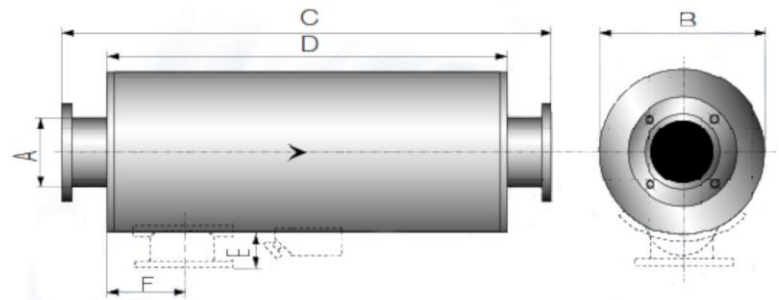
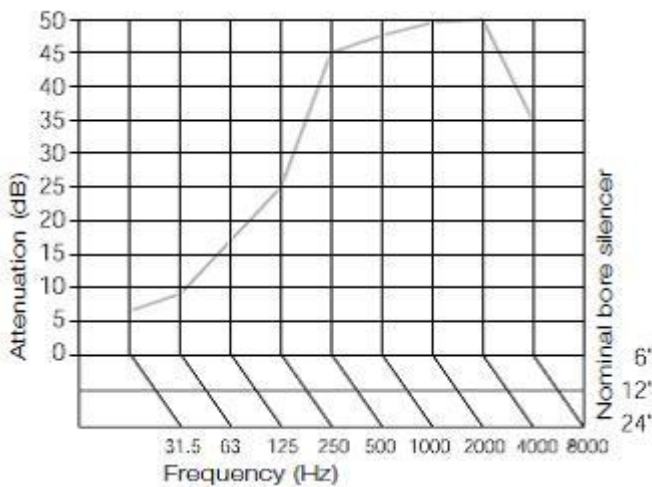
Technical specifications

Attenuation	15 - 25 dB
Recommended designed gas flow	min. 20 and max. 50 m/s
Pressure drop silencer	see CW-values in the following chart
Maximum allowable gas temperature	600°C: applies to S 235 JR G2. For other temperatures / materials please ask for our advice.
Material	S 235 JR G2; Stainless-steel, Corten or others are optional
Preservation	anticorrosive heat-resistant coating (gray): for other paint systems please ask for our advice.
Insulation	as the body virtually will take the temperature of the medium, in many cases lagging will be necessary. Additional insulation may be needed when noise breakout of the body is a decisive factor for achieving the noise demand.
Flanges	drilled according to DIN 2573 PN6. Other flange models on request
Identification	plate with silencer type and order number
Maintenance	regular cleaning of spark arrestor
Options	single or double inlet, radial in- and/or outlet positions, mounting supports, condensation drain, QAQC planning and/or certificates, integrated catalytic converter

Dimensions

ND (nominal bore)	A (mm) outer pipe diameter	B (mm)	C (mm)		D (mm)		E (mm)	F (mm)	weight (kg)		CW		
			HM	HMC	HM	HMC			HM	HMC	HM	HMC	
40	1½"	48,3	130	850	950	760	840	50	50	8	10	0,83	6,20
50	2"	60,3	155	870	970	765	845	50	50	10	12	0,65	5,06
65	2½"	76,2	180	1020	1150	915	1015	75	75	15	17	0,61	4,70
80	3"	88,9	206	1120	1500	1015	1265	75	75	19	24	0,57	4,54
100	4"	114,3	256	1150	1500	1020	1270	100	150	26	34	0,44	4,17
125	5"	139,7	306	1500	1750	1270	1520	100	150	45	55	0,46	4,05
150	6"	168,3	356	1500	1750	1270	1520	100	200	56	67	0,38	3,63
200	8"	219,1	401	1750	2000	1525	1775	100	200	76	92	0,34	3,83
250	10"	273,0	556	2250	2750	2006	2506	150	250	144	182	0,36	3,68
300	12"	323,9	608	2500	2750	2256	2506	150	250	209	246	0,34	3,91
350	14"	355,6	708	2750	3000	2506	2756	150	250	280	324	0,34	3,54
400	16"	406,4	800	2750	3000	2506	2756	150	270	360	404	0,30	4,15
450	18"	457,2	800	3000	3250	2756	3006	150	300	388	440	0,29	4,59
500	20"	508,0	908	3250	3750	3006	3506	150	325	493	580	0,29	3,96

For standard dimensions see above chart; larger or other dimensions available on request



Solutions for noise, emission and heat